

MAK Fastener Specialists Pty Ltd.,
 Unit 4, 11 Trevi Crescent,
 Tullamarine, VIC 3043
 Australia.

Web Site: www.makfasteners.com.au

Tel.: +61 (0)3 9078 9119

Fax: +61 (0)3 9078 9119

E-mail: Sales@MakFasteners.com.au



MAK
FASTENER
SPECIALISTS
 pty LTD

Fasteners for Roofing, Cladding
 and General Construction

Product Group 85 EPDM Bubble Gasket

Description

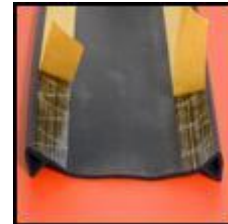
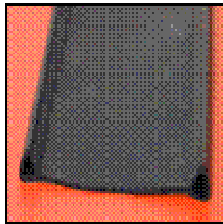
EPDM Bubble Gasket

Product Description

Bubble Seal is an extruded, self-adhesive EPDM cellular rubber sealing strip.

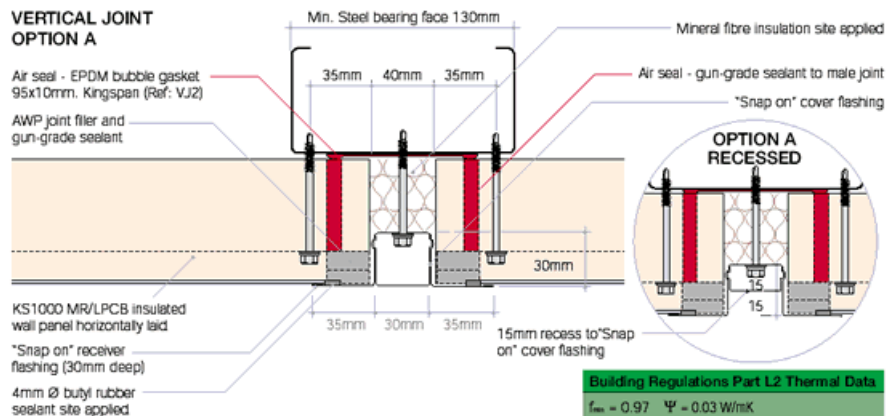
Typical Application

- Air & water seal in cladding systems.



VERTICAL JOINT DETAILS

VERTICAL JOINT OPTION A



Building Regulations Part L2 Thermal Data
 $f_{res} = 0.97$ $\Psi = 0.03$ W/mK
 The above values are only applicable to the components on this detail.
 Changes to the components will have an effect on the given values.
 For joint spacings of 1000mm or more, the above Ψ value is included
 within the Ψ value of the insulated panel.

Code

85-EPDMBUBBLE

Description

95mmx10mmx40mt VJ2 EPDM Bubble Gasket