

S-5![®]

The Right Way!

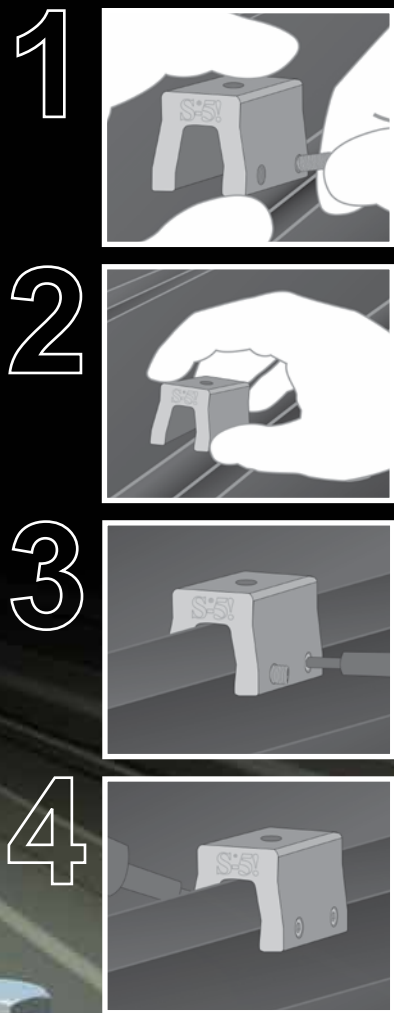
S-5-R465 Clamp

The S-5-R465 and S-5-R465 Mini are created specifically to fit the Zambelli RIB-ROOF 465, McElroy Metal's Mirage II, Rib Roof Metal Systems' Rib Roof, and similar roof profiles. The S-5-R465 and S-5-R465 Mini replace the S-5-R, proving to have more than three times the holding strength. The clamps are uniquely designed with opposing setscrews to maximize holding strength. The patented round-point setscrews do not penetrate the weathering membrane of the roof, nor damage the protective Galvalume coatings of steel panels. They will not cause scoring which can lead to roof material fracture or premature corrosion, including rust, thereby voiding the roof manufacturer's warranty.

S-5-R465 Mini Clamp

The S-5-R465 Mini is a bit shorter than the S-5-R465, having only one setscrew on each side rather than two. The mini is the choice for attaching all kinds of rooftop accessories: signs, walkways, satellite dishes, antennas, rooftop lighting, lightning protection systems, solar arrays, exhaust stack bracing, conduit, condensate lines, mechanical equipment—just about anything!*

*S-5! mini clamps are not compatible with, and should not be used with, S-5! SnoRail™/SnoFence™ or ColorGard® snow retention systems.



The S-5-R465 clamp is designed for use on RIB-ROOF 465, Mirage II, and roofing types with similar profiles.

S-5-R465 and S-5-R465 Mini

www.makfasteners.com
www.makfasteners.com.au

The right way to attach almost anything to metal roofs!

S-5![®]

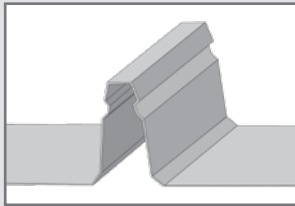
The Right Way!

The strength of the S-5-R465 clamp is in its simple design. The patented round-point setscrews will slightly dimple the metal seam material but not pierce it—leaving roof manufacturers' warranties intact.

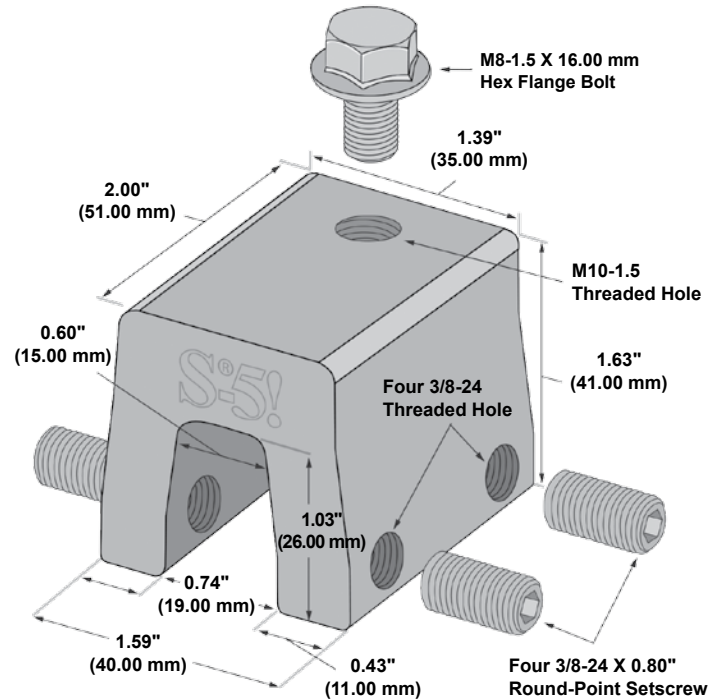
The **S-5-R465** and **S-5-R465 Mini clamps** are each furnished with the hardware shown to the right. Each box also includes a bit tip for tightening setscrews using an electric screw gun. A structural aluminum attachment clamp, the S-5-R465 is compatible with most common metal roofing materials excluding copper. All included hardware is stainless steel. Please visit www.S-5.com for more information including CAD details, metallurgical compatibilities, installation instructions, and specifications.

The S-5-R465 clamp has been tested for load-to-failure results on most major brands of rib roof profiles. The independent lab test data found at www.S-5.com can be used for load-critical designs and applications. S-5![®] holding strength is unmatched in the industry.

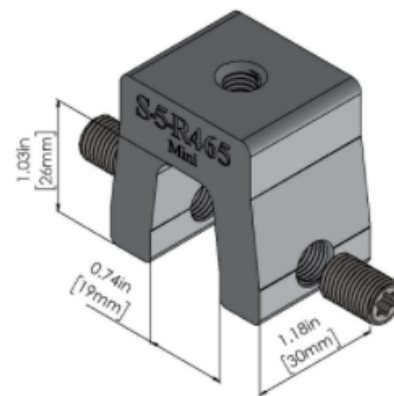
Example Profiles



S-5-R465 Clamp



S-5-R465 Mini Clamp



S-5![®] Warning! Please use this product responsibly!

Products are protected by multiple U.S. and foreign patents. Visit the website at www.S-5.com for complete information on patents and trademarks. For maximum holding strength, setscrews should be tensioned and re-tensioned as the seam material compresses. Clamp setscrew tension should be verified using a calibrated torque wrench between 160 and 180 inch pounds when used on 22ga steel, and between 130 and 150 inch pounds for all other metals and thinner gauges of steel. Consult the S-5! website at www.S-5.com for published data regarding holding strength.

Copyright 2015, Metal Roof Innovations, Ltd. S-5! products are patent protected. S-5! aggressively protects its patents, trademarks, and copyrights. Version 052115.

Ireland
+353-(0)1-4519900

United Kingdom
+44 (0)161 866 8164

Australia
+61 (0)3 9078 9119

